

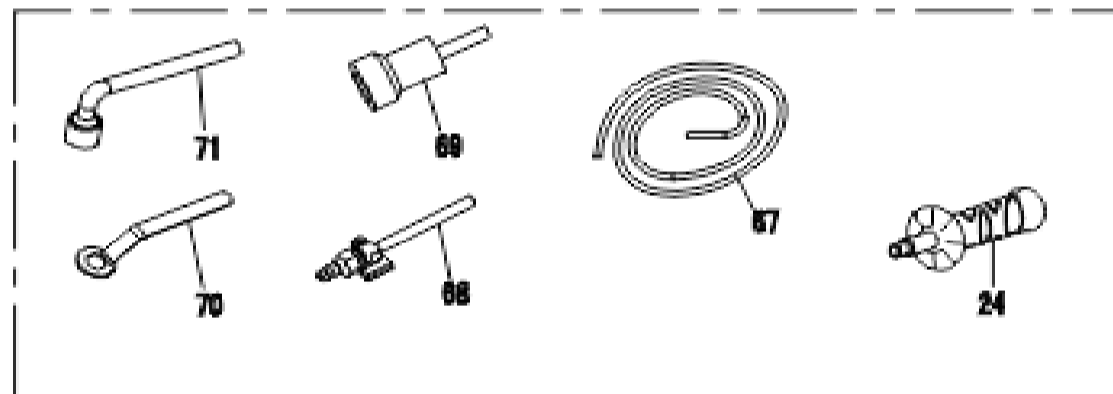
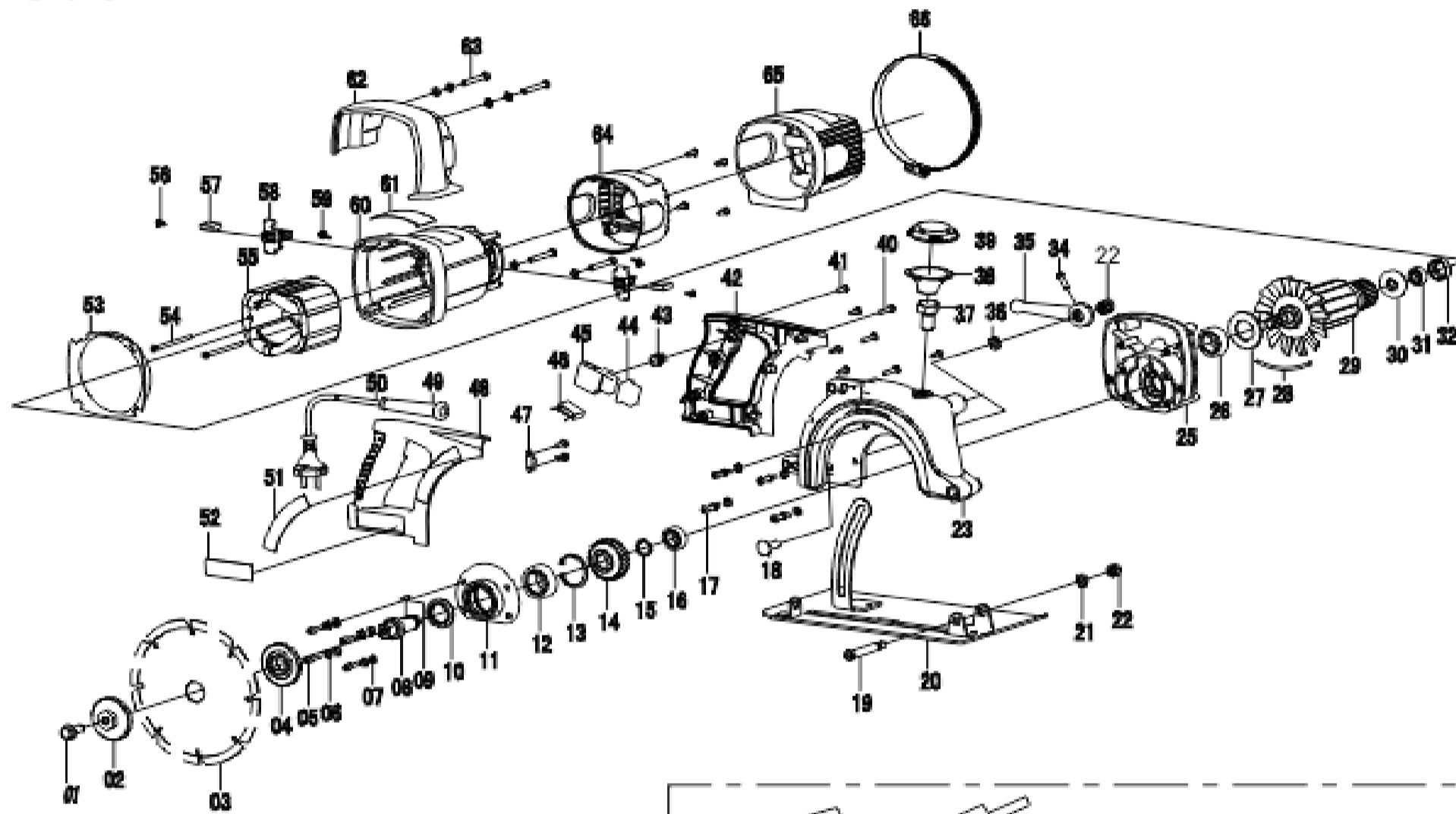


**AWT**

Model No:  
230V

**SERRA MÁRMORE  
MS-180**

**LWI18001**



Pos.	Código	Description (Q-ty)	Descrição
1	S18-0001/01	Bolt M8x20	Parafuso M8 x 20
2	S18-0001/02	Upper flange	Flange Externa
3		Cutting disc	Disco de Corte
4	S18-0001/04	Lower flange (25.4)	Flange Interna
5	S18-0001/05	Screw M5x20	Parafuso M5 x 20
6	S18-0001/06	Spring washer 5	Arruela de pressão Ø5
7	S18-0001/07	Washer 5	Arruela Lisa Ø5
8	S18-0001/08	Spindle	Eixo
9	S18-0001/09	Key 4x5x13	Chaveta Ø4x5x13
10	S18-0001/10	Oil seal	Tampa Lubrificada
11	S18-0001/11	Front cover	Tampa Frontal
12	A1-0916/01	Ball bearing 6203 2RS	Rolamento 6203
13	S18-0001/13	Ring 40 for hole	Anel Elástico Interno Ø40
14	S18-0001/14	Gear	Engrenagem
15	S18-0001/15	Ring 16 for shaft	Anel Elástico Externo Ø16
16	A1-0909/01	Ball bearing 6001 ZZ	Rolamento 6001
17	S18-0001/17	Screw M5x25	Parafuso M5 x 25
18	S18-0001/18	Screw M8x25	Parafuso M8 x 25
19	S18-0001/19	Spindle pin 10x60	Pino Ø10 x 60
20	S18-0001/20	Motherboard	Base
21	S18-0001/21	Spring washer 8	Arruela de pressão Ø8
22	S18-0001/22	Nut M8	Porca M8
23	S18-0001/23	Gear box	Suporte Frontal
24	S18-0001/24	Side handle	Punho Auxiliar
25	S18-0001/25	Middle cover	Carcaça Engrenagem
26	A1-0915/01	Ball bearing 6202 ZZ	Rolamento 6202
27	S18-0001/27	Bearing washer	Arruela do Rolamento
28	S18-0001/28	Rubber Seal	Anel Borracha
29	S18-0002/29	Armature 230V	Induzido 230V
30	S18-0001/30	Insulate ring	Anel Isolante
31	A1-0902/01	Ball bearing 608 ZZ	Rolamento 608
32	S18-0001/32	Bearing sleeve	Bucha do Rolamento
33	S18-0001/33	Nut M8	Porca M8
34	S18-0001/34	Screw M5x10	Parafuso M5 x 10
35	S18-0001/35	Spanner	Haste Trava da Base
36	S18-0001/36	Big washer 8	Arruela Ø8
37	S18-0001/37	Screw M10x20	Parafuso M10 x20
38	S18-0001/38	Front handle	Base Pega Auxiliar
39	S18-0001/39	Front handle cover	Capa Pega Auxiliar
40	S18-0001/40	Tapping screw BT4.2x22	Parafuso ST4,2 x 22
41	S18-0001/41	Tapping screw ST4.2x16	Parafuso ST4,2 x 16
42	S18-0001/42	Left handle	Empunhadura Esquerda
43	S18-0001/43	Dustproof cap for lock	Botão Trava
44	S18-0001/44	Dustproof cap for trigger	Capa Botão Interruptor
45	S18-0002/45	Switch 230V	Interruptor 230V
46	S18-0002/46	Capacitance 230V	Condensador 230V
47	S18-0001/47	Cord clamp	Presilha do Cabo
48	S18-0001/48	Right handle	Empunhadura Direita
49	S18-0001/49	Cord guard	Proteção do Cabo
50	S18-0002/50	Cord pin 230V	Cabo 230V
51	S18-0001/51	Round trademark	Etiqueta Adesiva 1
52	S18-0001/52	Square trademark	Etiqueta Adesiva 2
53	S18-0001/53	Wind fender	Defletor
54	S18-0001/54	Tapping screw ST4.2x70	Parafuso ST4,2 x 70
55	S18-0002/55	Stator 230V	Estator 230V
56	S18-0002/56	Tapping screw ST4.2x10	Parafuso ST4,2 x 10
57	S18-0002/57	Carbon brush 230V	Escova Carvão 230V
58	S18-0001/58	Brush shelf	Suporte Escova
59	S18-0001/59	Coil spring	Mola Conectora
60	S18-0001/60	Housing	Carcaça Engrenagem
61	S18-0002/61	Name plate 230V	Etiqueta Adesiva 230V
62	S18-0001/62	Wind waterproof cover	Tampa Protetora
63	S18-0001/63	Screw M5x40	Parafuso M5 x 40
64	S18-0001/64	Back cover	Tampa traseira
65	S18-0001/65	Water waterproof cover	Tampa Isoladora
66	S18-0001/66	Clamp	Presilha
67	S18-0001/67	Cooling water spring	Mangueira Água
68	S18-0001/68	Tap	Válvula Água
69	S18-0001/69	Nozzle	Parafuso Aperto
70	S18-0001/70	Hex wrench	Chave Sextavada
71	S18-0001/71	Socket wrench	Chave Soquete